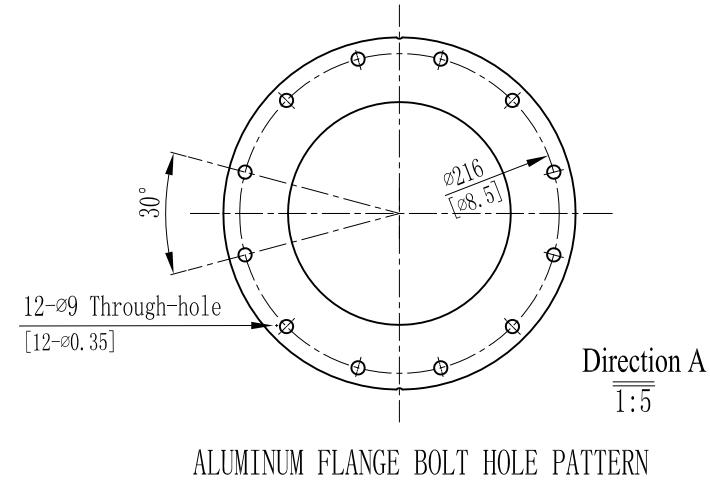
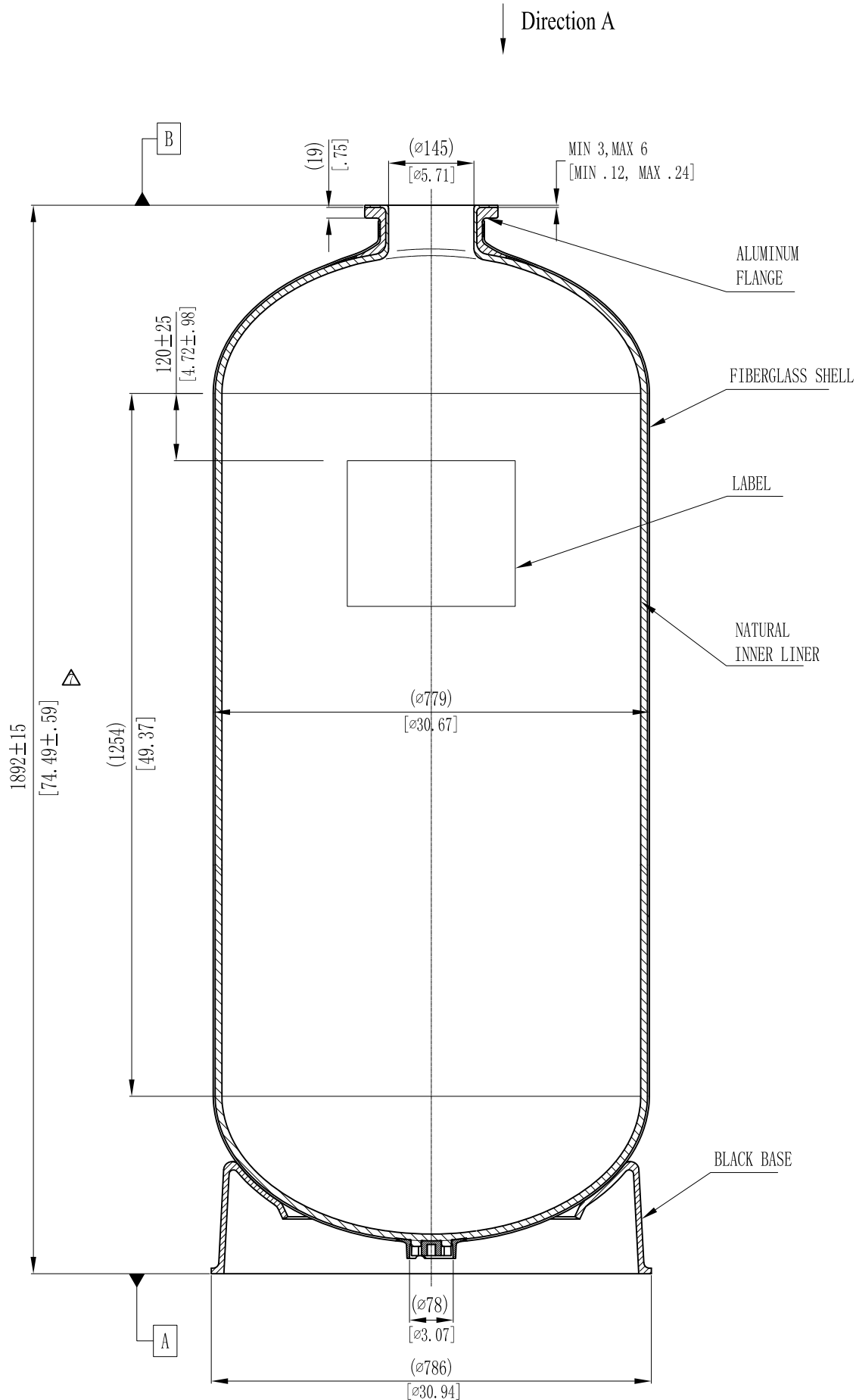


00-103311

MODEL	VOLUME			DOME VOLUME			WEIGHT	
	liters	U. S. gal	cubic FT	liters	U. S. gal	cubic FT	Kg	LBS
30x72	704	186	24.86	72.07	19.03	2.55	94.4	208.2



NOTES:

- TANK MUST MEET ALL APPLICABLE SPECIFICATIONS OF NSF/ANSI 044 STANDARD, LATEST REVISION.
- OPERATING SPECIFICATIONS:
  - MAXIMUM WORKING PRESSURE - 150 PSI (10.5BAR)
  - TEMPERATURE RANGE - 34-150° F (1-65°C)
  - MAXIMUM VACUUM - 5"Hg (127mm Hg)
- VISUAL LINER INSPECTION
  - NO MORE THAN 20 INTERNAL OR EXTERNAL BLEMISHES OR BURNT DEBRIS.
  - NO INTERNAL OR EXTERNAL BLEMISHES OR BURNT DEBRIS LARGER THAN 5×5mm.
  - NO INTERNAL BLEMISHES OR BURNT DEBRIS ALLOWED.
- ALL GLASS STRANDS FROM FIBERGLASS LINER TO BE BONDED AND COVERED.
- SURFACE TO BE FREE OF NICKS, SCRATCHES, RESIN AND GLASS.
- SURFACE FINISH.
- DIMENSIONS IN PARENTHESIS ARE REFERENCE ONLY.
- TANK TO BE BONDED TO BASE.
- USING A STANDARD LEVEL WITH TANK POSITIONED ON A LEVEL SURFACE, DATUM B TO BE PARALLEL WITH DATUM A. BUBBLE OF LEVEL MUST FALL COMPLETELY WITHIN LINES WHEN MEASURED AT 90° INTERVALS WHEN PLACED ON THE TOP OF THE FLANGE.

		CHANGED THE HEIGHT FROM 1908±15 TO 1892±15		2021/03/01	
0		FIRST VERSION			
VERSION NO.	DESCRIPTION OF CHANGES:			SIGNATURE	DATE
REFERENTIAL PLASTIC SHRINKAGE (IF NECESSARY):					
SIGNATURE		WAVE CYBER (SHANGHAI) CO., LTD.			
DESIGN	NAME				
INSPECTION			1 : 10		
APPROVAL			QUANTITY	SMOOTHNESS	MODEL DESCRIPTION
THIS PRODUCT DRAWING CAN NOT BE COPIED AND/OR USED WITHOUT PRIOR WRITTEN APPROVAL OF WAVE CYBER.		PROJECTION	COMPUTER CODE	DRAWING NO.	VERSION NO.
				113301-00	7
DO NOT MEASURE THE DIMENSIONS.			UNIT: MM	TOTAL PAGE: 1	