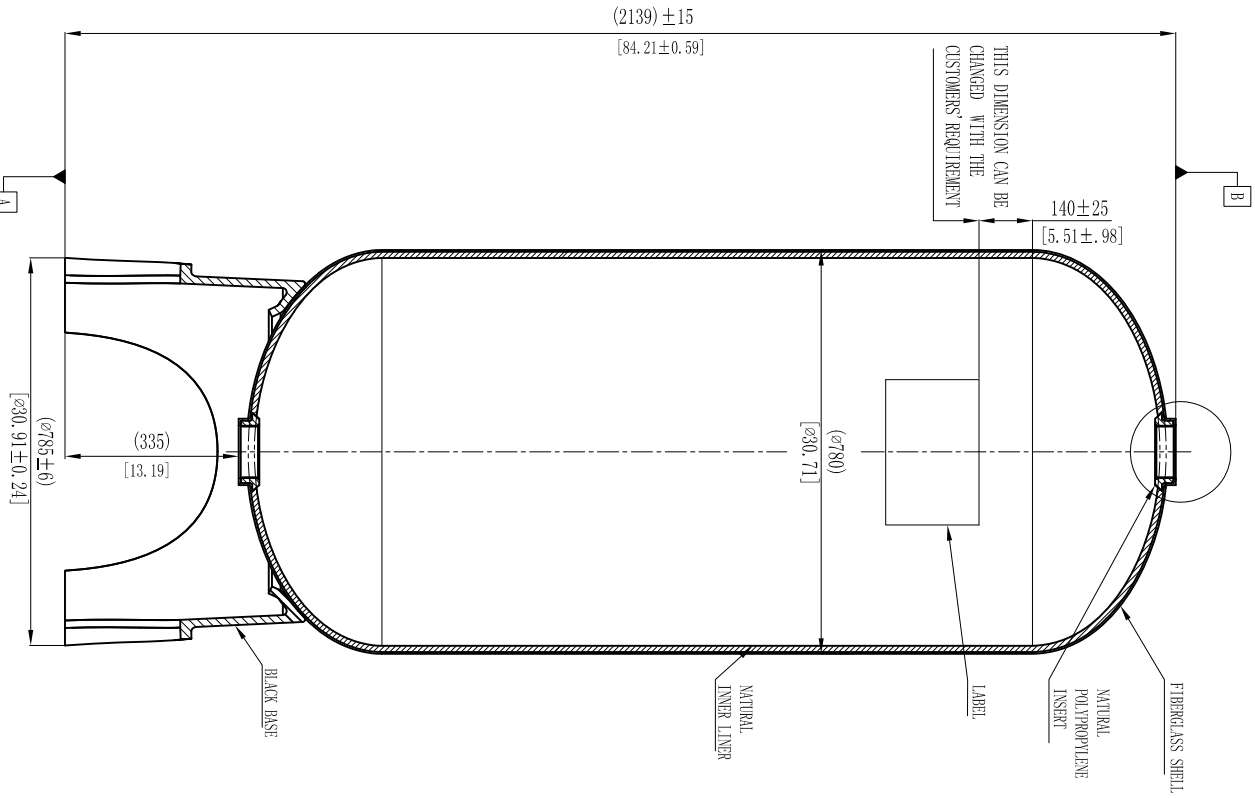
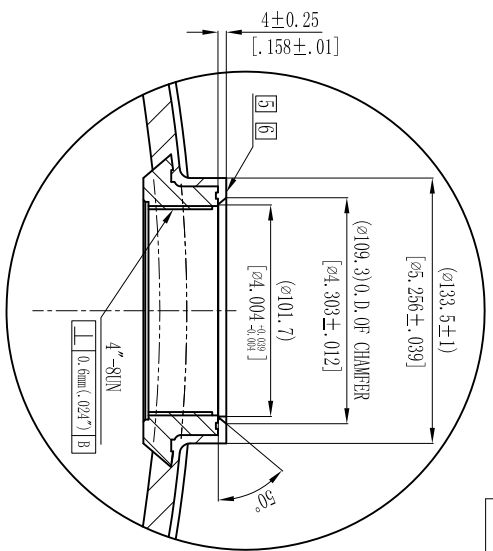


1:2.5

| MODEL | VOLUME |          | DOME VOLUME |          | WEIGHT |       |
|-------|--------|----------|-------------|----------|--------|-------|
|       | liters | U.S. gal | liters      | U.S. gal | kg     | LBS   |
| 30x72 | 708    | 187.05   | 25.02       | 72.07    | 2.55   | 90.25 |
|       |        |          |             |          |        | 198.8 |



- NOTES:
- TANK MUST MEET ALL APPLICABLE SPECIFICATIONS OF NSF/ANSI Q44 STANDARD, LATEST REVISION.
  - OPERATING SPECIFICATIONS:
    - MAXIMUM WORKING PRESSURE - 150 PSIG (10.5 BAR)
    - TEMPERATURE RANGE - 34-120° F (-1-49°C)
    - MAXIMUM VACUUM - 5"Hg (127mm Hg)
  - VISUAL LINER INSPECTION
    - NO MORE THAN 10 INTERNAL OR EXTERNAL BLEMISHES OR BURNT DEBRIS.
    - NO INTERNAL OR EXTERNAL BLEMISHES OR BURNT DEBRIS LARGER THAN 3×3mm.
    - NO INTERNAL BLEMISHES OR BURNT DEBRIS ALLOWED.
  - ALL GLASS STRANDS FROM FIBERGLASS LINER TO BE BONDED AND COVERED.
    - SURFACE TO BE FREE OF NICKS, SCRATCHES, RESIN AND GLASS.
  - SURFACE FINISH.
  - DIMENSIONS IN PARENTHESES ARE REFERENCE ONLY.
  - DIMENSIONS IN SQUARE PARENTHESES ARE INCH UNIT.
  - TANK TO BE BONDED TO BASE.
  - USING A STANDARD LEVEL WITH TANK POSITIONED ON A LEVEL SURFACE, DATUM B TO BE PARALLEL WITH DATUM A. BUBBLE OF LEVEL MUST FALL COMPLETELY WITHIN LINES WHEN MEASURED AT 90° INTERVALS.
  - AFTER THE TANK IS LEVELED, IT IS RECOMMENDED THAT THE TANK BE BOLTED TO THE FLOOR IN SIX POSITIONS PER THE TRIPPOD BASE BOLT HOLE PATTERN WITH 3/8" ANCHORS.

|  |  |   |             |               |
|--|--|---|-------------|---------------|
| 5                                      | THIS DRAWING IS DERIVED FROM THE CHINESE VERSION | REVISION NO.                            | DATE        | 3008.10.28    |
|  | REFERENTIAL PLASTIC SIRMAGE (IF NECESSARY):      | DESCRIPTION OF CHANGES:                 | SIGNATURE   | DATE          |
| SIGNATURE                              |  |   |             |               |
| DESIGN                                 | NAME   | DATE                                    |             |               |
| INSPECTION                             |  |   |             |               |
| APPROVAL                               |  |   |             |               |
| <b>WAVE CYBER (SHANGHAI) CO., LTD.</b> |  |   |             |               |
| SCALE                                  | MATERIAL   | MODEL                                   |             |               |
| 1 : 10                                 |  | 30"TRP PRESSURE VESSEL (DOUBLE OPENING) |             |               |
| QUANTITY                               | SMOOTHNESS                                       | DESCRIPTION                             | DRAWING NO. | VERSION NO.   |
|  |  |   | 111302-00   | 6             |
| PROJECTION                             | COMPUTER CODE                                    | DATE                                    |             |               |
|  |  |   |             |               |
| DO NOT MEASURE THE DIMENSIONS          |  |   | UNIT: MM    | TOTAL PAGE: 1 |