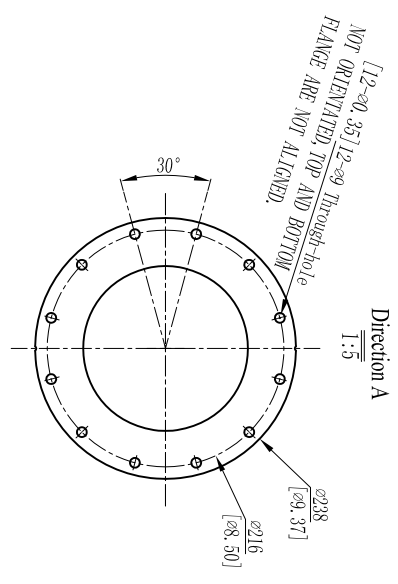


MODEL	A		VOLUME	DOME VOLUME	WEIGHT					
	mm	inch								
36x72	2213	87.13	15 liters	0.59 U.S. gal	35.26 cubic FT	125.8 liters	33.21 U.S. gal	4.44 cubic FT	132.6 kg	291.7 lbs
36x57	1913	75.31	15 liters	0.59 U.S. gal	27.42 cubic FT	125.8 liters	33.21 U.S. gal	4.44 cubic FT	106.9 kg	235.2 lbs



- NOTES:
- TANK MUST MEET ALL APPLICABLE SPECIFICATIONS OF NSF/ANSI 044 STANDARD, LATEST REVISION.
 - OPERATING SPECIFICATIONS:
 - MAXIMUM WORKING PRESSURE - 150 PSI (10.5BAR)
 - TEMPERATURE RANGE - 34-150° F (-1-65°C)
 - MAXIMUM VACUUM - 5"Hg (127mm Hg)
 - VISUAL LINER INSPECTION
 - NO MORE THAN 20 INTERNAL OR EXTERNAL BLEMISHES OR BURNT DEBRIS.
 - NO INTERNAL OR EXTERNAL BLEMISHES OR BURNT DEBRIS LARGER THAN 5x5mm.
 - NO INTERNAL BLEMISHES OR BURNT DEBRIS ALLOWED.
 - ALL GLASS STRANDS FROM FIBERGLASS LINER TO BE BONDED AND COVERED.
 - SURFACE TO BE FREE OF NICKS, SCRATCHES, RESIN AND GLASS.
 - SURFACE FINISH.
 - DIMENSIONS IN PARENTHESES ARE REFERENCE ONLY.
 - DIMENSIONS IN SQUARE PARENTHESES ARE INCH DWT.
 - TANK TO BE BONDED TO BASE.
 - USING A STANDARD LEVEL WITH TANK POSITIONED ON A LEVEL SURFACE, DATUM B TO BE PARALLEL WITH DATUM A. BUBBLE OF LEVEL MUST FALL COMPLETELY WITHIN LINES WHEN MEASURED AT 90° INTERVALS.
 - AFTER THE TANK IS LEVELED, IT IS RECOMMENDED THAT THE TANK BE BOLTED TO THE FLOOR IN SIX POSITIONS PER THE TRIPOD BASE BOLT HOLE PATTERN WITH 3/8" ANCHORS.

6	DIMENSION A CHANGED	2011/08/29
5	THIS DRAWING IS ISSUED CORRECTIVE WITH THE CHANGE VERSION	2008/10/20
REFERENCE PLASTIC SHRINKAGE (IF NECESSARY) SIGNATURE: _____ DATE: _____ NAME: _____ DATE: _____ DESIGN: _____ INSPECTION: _____ APPROVAL: _____		
THIS PRODUCT DRAWING CAN NOT BE COPIED AND/OR USED WITHOUT PRIOR WRITTEN APPROVAL OF WAVE CYBER		
SCALE: 1 : 10 QUANTITY: _____ PROJECTION: _____		MODEL DESCRIPTION: 36" FRP PRESSURE VESSEL (DOUBLE FLANGE OPENING) DRAWING NO. 113362-00 VERSION NO. 6
DO NOT MEASURE THE DIMENSIONS.		UNIT: MM TOTAL PAGE: 1

WAVE CYBER (SHANGHAI) CO., LTD.