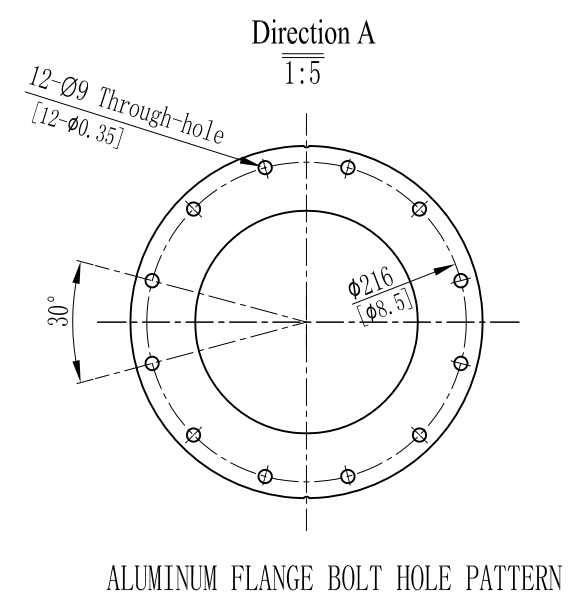
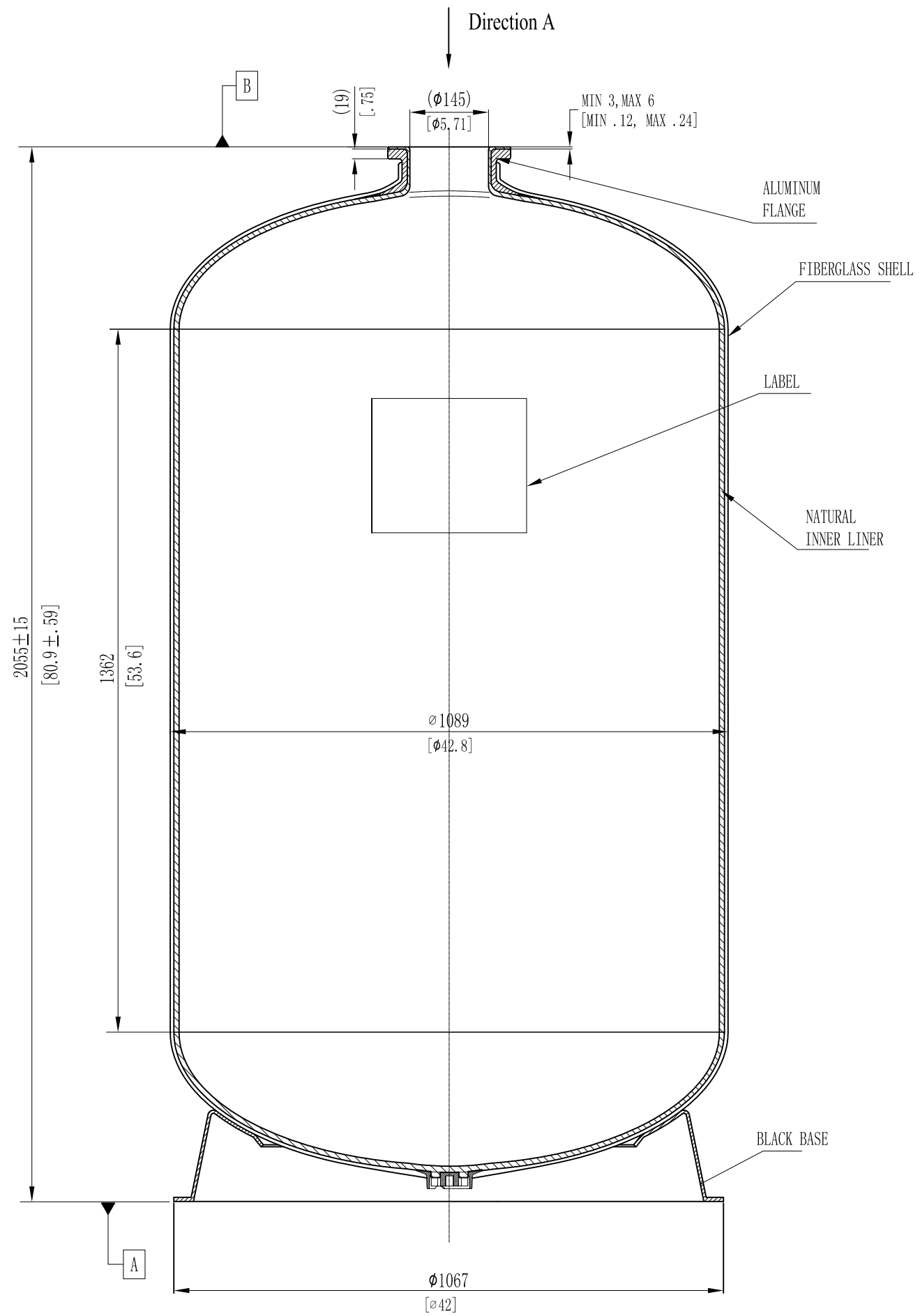


113427-00

MODEL	VOLUME			DOME VOLUME			WEIGHT	
	liters	U. S. gal	cubic FT	liters	U. S. gal	cubic FT	Kg	LBS
42x72	1494	394.7	52.79	150.6	39.79	5.32	202	445.4



NOTES:

- TANK MUST MEET ALL APPLICABLE SPECIFICATIONS OF NSF/ANSI 044 STANDARD, LATEST REVISION.
- OPERATING SPECIFICATIONS:
  - A. MAXIMUM WORKING PRESSURE - 150 PSI (10.5 BAR)
  - B. TEMPERATURE RANGE - 34-150° F (1-65°C)
  - C. MAXIMUM VACUUM - 5" Hg (127mm Hg)
- VISUAL LINER INSPECTION
  - A. NO MORE THAN 20 INTERNAL OR EXTERNAL BLEMISHES OR BURNT DEBRIS.
  - B. NO INTERNAL OR EXTERNAL BLEMISHES OR BURNT DEBRIS LARGER THAN 5x5mm.
  - C. NO INTERNAL BLEMISHES OR BURNT DEBRIS ALLOWED.
- ALL GLASS STRANDS FROM FIBERGLASS LINER TO BE BONDED AND COVERED.
- SURFACE TO BE FREE OF NICKS, SCRATCHES, RESIN AND GLASS.
- SURFACE FINISH.
- DIMENSIONS IN PARENTHESIS ARE REFERENCE ONLY.
- TANK TO BE BONDED TO BASE.
- USING A STANDARD LEVEL WITH TANK POSITIONED ON A LEVEL SURFACE, DATUM B TO BE PARALLEL WITH DATUM A. BUBBLE OF LEVEL MUST FALL COMPLETELY WITHIN LINES WHEN MEASURED AT 90° INTERVALS WHEN PLACED ON THE TOP OF THE FLANGE.
- AFTER THE TANK IS LEVELED, IT IS RECOMMENDED THAT THE TANK BE BOLTED TO THE FLOOR IN SIX POSITIONS PER THE TRIPOD BASE BOLT HOLE PATTERN WITH 3/8" ANCHORS.

0		FIRST VERSION		DESCRIPTION OF CHANGES:		SIGNATURE	DATE
REFERENTIAL PLASTIC SHRINKAGE (IF NECESSARY):		SIGNATURE		<b>WAVE CYBER (SHANGHAI) CO., LTD.</b>			
DESIGN	NAME	DATE	SCALE				
INSPECTION			1 : 10	MATERIAL	MODEL		
APPROVAL			QUANTITY	SMOOTHNESS	42" FRP PRESSURE VESSEL (SINGLE FLANGE OPENING)		
THIS PRODUCT DRAWING CAN NOT BE COPIED AND/OR USED WITHOUT PRIOR WRITTEN APPROVAL OF WAVE CYBER.		PROJECTION	COMPUTER CODE	DRAWING NO.	VERSION NO.		
			80690	113427-00	0		
DO NOT MEASURE THE DIMENSIONS.				UNIT: MM		TOTAL PAGE: 1	