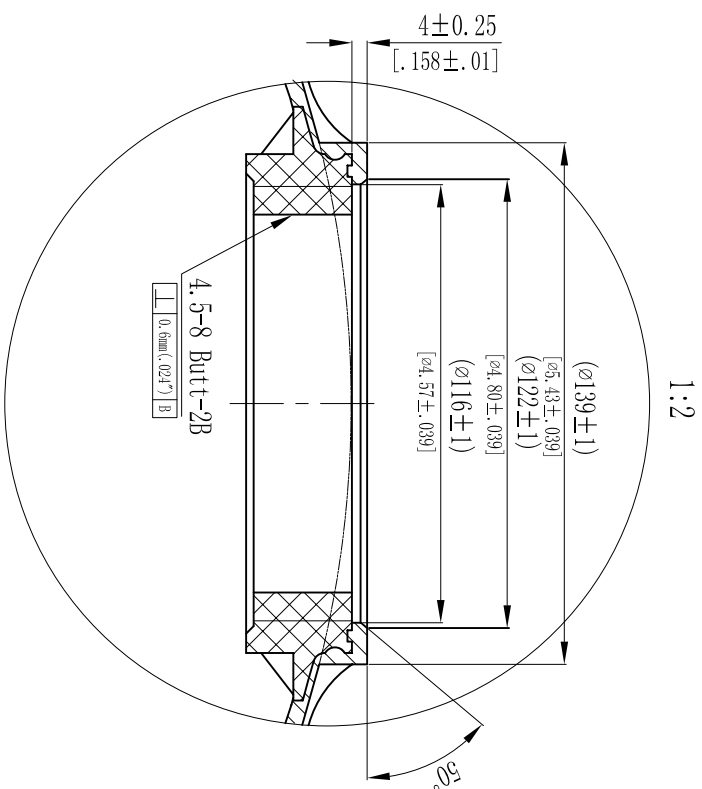


THIS DIMENSION CAN BE CHANGED WITH THE CUSTOMERS' REQUIREMENT



MODEL	A			VOLUME			DOME VOLUME			WEIGHT		
	mm	inch	+/-	liters	U.S. gal	cubic FT	liters	U.S. gal	cubic FT	Kg	LBS	
14x52	1346	52.99	6	.24	117.5L	31.04	4.15	6.16	1.63	0.22	13.27	29.19
14x65	1676	65.98	6	.24	150.0L	39.63	5.30	6.16	1.63	0.22	15.87	34.91
14x47	1220	48.03	6	.24	103.0L	27.21	3.64	6.16	1.63	0.22	12.27	26.99

- NOTES:
- TANK MUST MEET ALL APPLICABLE SPECIFICATIONS OF NSF/ANSI 044 STANDARD, LATEST REVISION.
 - OPERATING SPECIFICATIONS:
 - A. MAXIMUM WORKING PRESSURE - 150 PSI (1.0.5BAR)
 - B. TEMPERATURE RANGE - 34-120° F (1-49°C)
 - C. MAXIMUM VACUUM - 5"Hg (127mm Hg)
 - VISUAL LINER INSPECTION
 - A. NO MORE THAN 10 INTERNAL OR EXTERNAL BLEMISHES OR BURNT DEBRIS.
 - B. NO INTERNAL OR EXTERNAL BLEMISHES OR BURNT DEBRIS LARGER THAN 3×3mm.
 - C. NO INTERNAL BLEMISHES OR BURNT DEBRIS ALLOWED.
 - ALL GLASS STRANDS FROM FIBERGLASS LINER TO BE BONDED AND COVERED.
 - SURFACE TO BE FREE OF NICKS, SCRATCHES, RESIN AND GLASS.
 - SURFACE FINISH.
 - DIMENSIONS IN PARENTHESES ARE REFERENCE ONLY.
 - DIMENSIONS IN SQUARE PARENTHESES ARE INCH UNIT.

1		THIS DRAWING IS TYPED COMPUTING WITH THE CHINESE VERSION		DESCRIPTION OF CHANGES:		SIGNATURE:		2008/07/21	
VERSION NO.		REPRESENTATIONAL PLASTIC SHRINKAGE (IF NECESSARY):		SCALE		MATERIAL		MODEL	
SIGNATURE		NAME		DATE		WAVE CYBER (SHANGHAI) CO., LTD.		DESCRIPTION	
DESIGN		INSPECTION		APPROVAL		1 : 5		14" (4.5" DI TANK) FRP VESSEL (STANDARD BASE)	
PROJECTION		QUANTITY		SMOOTHNESS		COMPUTER CODE		DRAWING NO.	
DO NOT MEASURE THE DIMENSIONS.		UNIT: MM		TOTAL PAGE: 1		1161451-00		VERSION NO.	
								1	